

Technical Manual



JBL EON15-G2

SPECIFICATIONS

ACOUSTIC & ELECTRICAL SPECIFICATIONS:

- Power Capacity: 300 Watts @ Low Frequency Driver Impedance.
100 Watts @ High Frequency Driver Impedance
- Frequency Range: 39 Hz – 18 kHz (± 10dB)
- Sensitivity: 129 dB SPL, 1 Watt @ 1 Meter
- Crossover Frequency: 1.5 kHz

SYSTEM COMPONENTS:

- Low Frequency Transducer: Integral Frame with one 15" (380 mm) Driver, Dual Neodymium Magnet, 2" Differential-Drive Voice Coil
- DC Resistance: 1.4 ohm ±10%
- High Frequency Transducer: JBL 2418H-1 1" (Throat Dia.) Compression Driver with 1.75 Dia. Titanium Diaphragm. Ferro-fluid Cooled.
- DC Resistance: 3.7 ohm ±10%
- Input 1 Sensitivity: -44 dBu to -22 dBu for Rated Output (Mic/Line Switch in Mic Position)
-12 dBu to +20 dBu for Rated Output (Mic/Line Switch in Line Position)

SYSTEM COMPONENTS: (CONT'D)

- Input 2 & 3 Sensitivity: -18 dBu to +20 dBu for Rated Output
- Output Level: +20 dBu (peak), Loop/Mix Switch in MIX position.
- Audio Connectors: Input 1: XLR/F Balanced
Input 2 & 3: 1/4" Phone, Balanced (TRS)

AURAL SWEEP TEST SPECIFICATIONS:

- A. System Aural Sweep Test: 200mv input RMS, pot at 1/2, tone flat.
- B. L.F. Aural Sweep Test: 4.0V Input, 20 Hz to 4 kHz
- C. H.F. Aural Sweep Test: 1.0V Input, 200 Hz to 1200 Hz

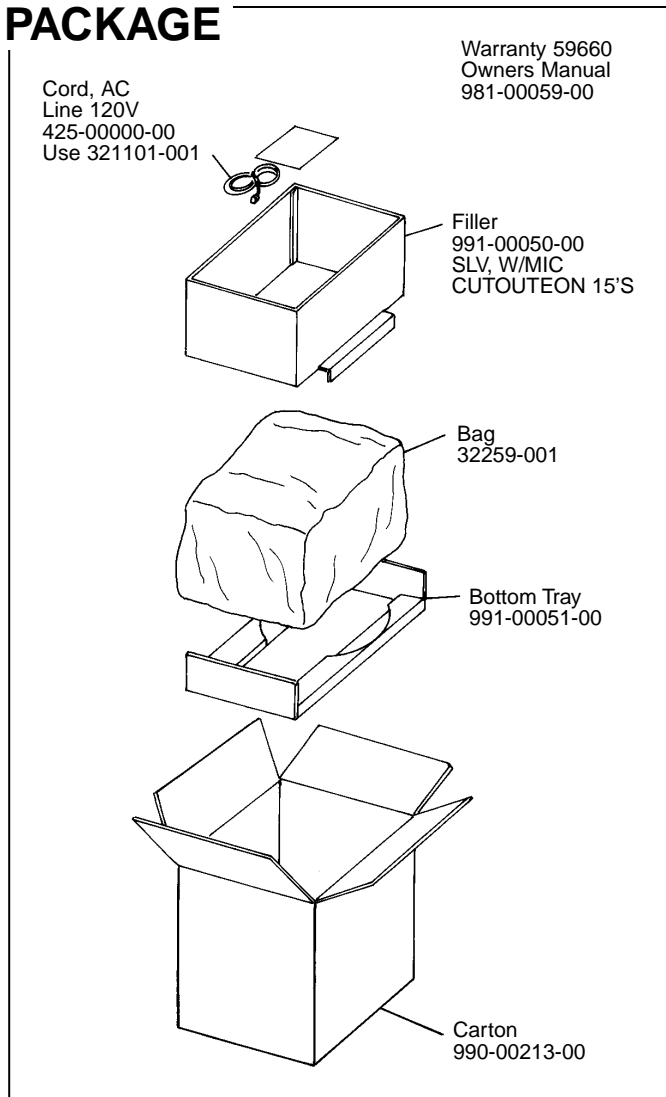
PHYSICAL SPECIFICATIONS:

- Enclosure Dimensions: 686mm x 430mm x 444mm D (27.0 x 17.0 x 17.5 in. D)
- Shipping Weight: 46 lbs. (21 kg.)

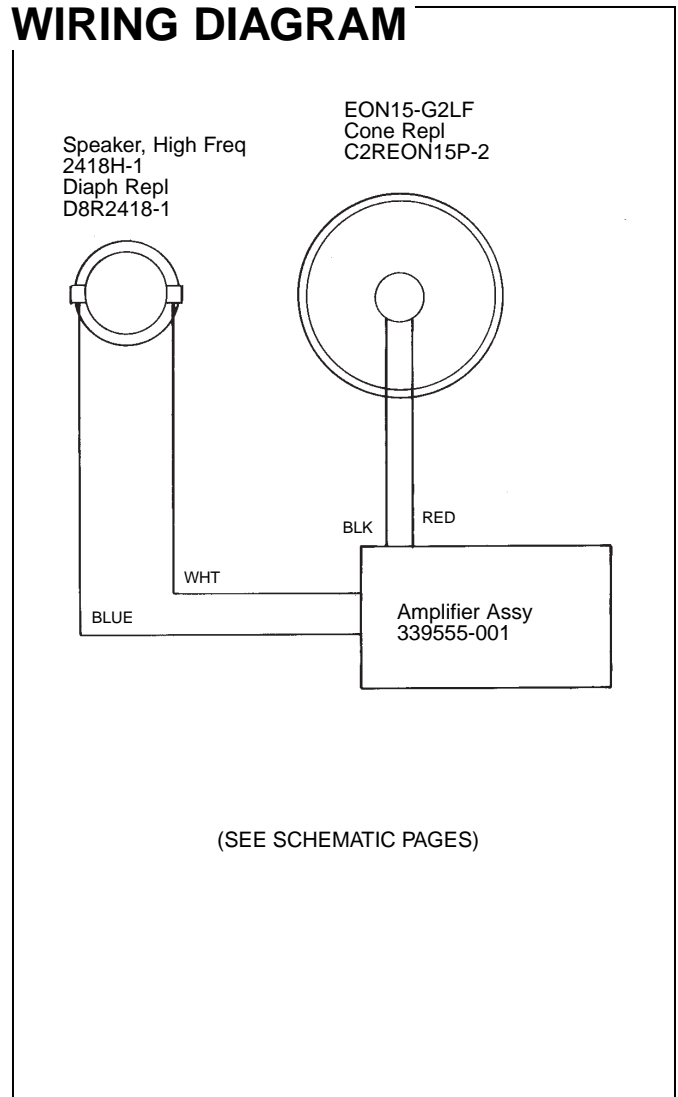
WARRANTY INFORMATION:

- Refer to Warranty Statement packed with each product.

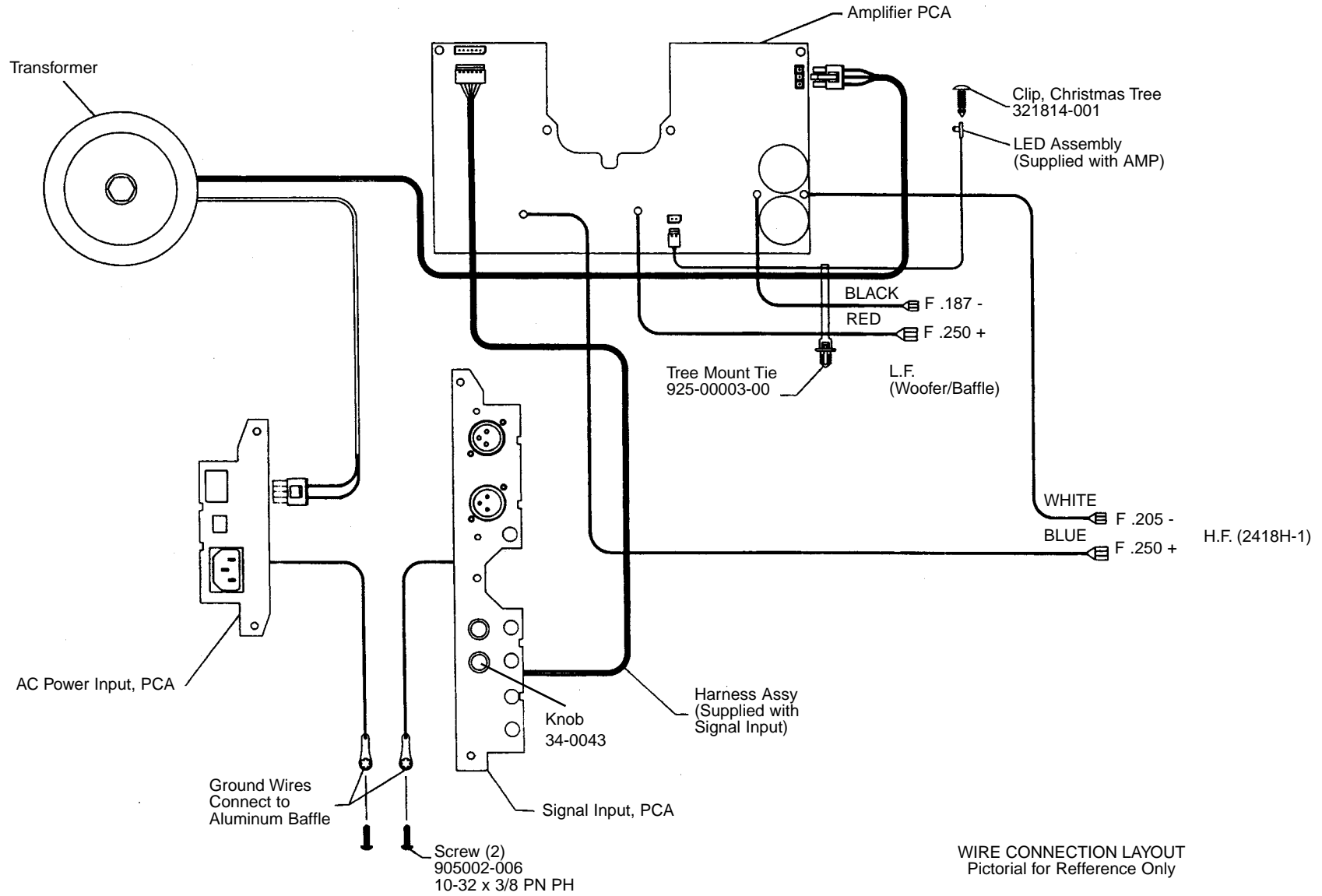
PACKAGE



WIRING DIAGRAM



JBL EON15-G2

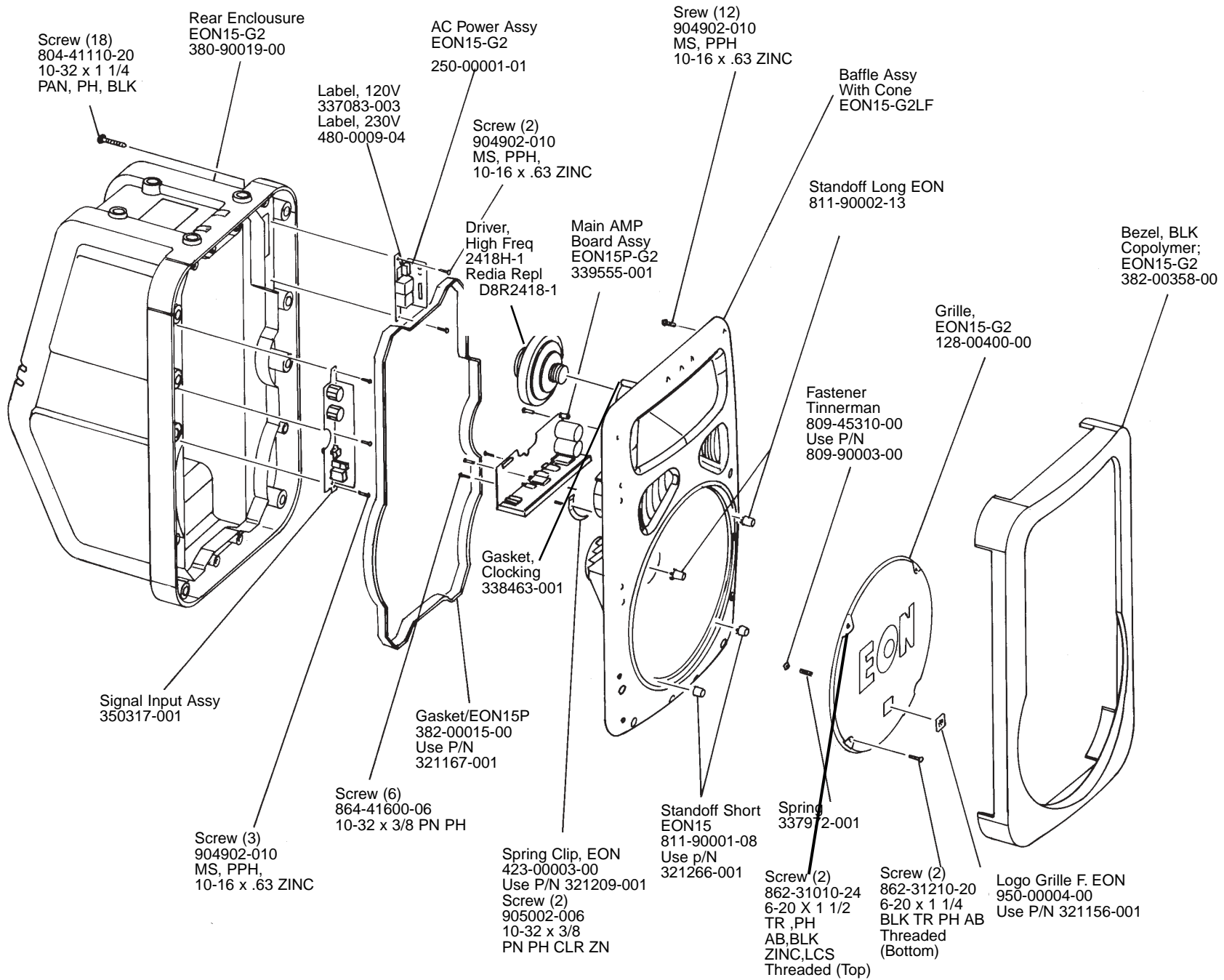


WIRE CONNECTION LAYOUT
Pictorial for Reference Only

JBL EON15-G2

JBL EON15-G2

COMPONENT EXPLODED VIEW



JBL EON15-G2

JBL EON15-G2

COMPONENT EXPLODED VIEW

JBL EON15-G2

